

TUCKER ROBBINS

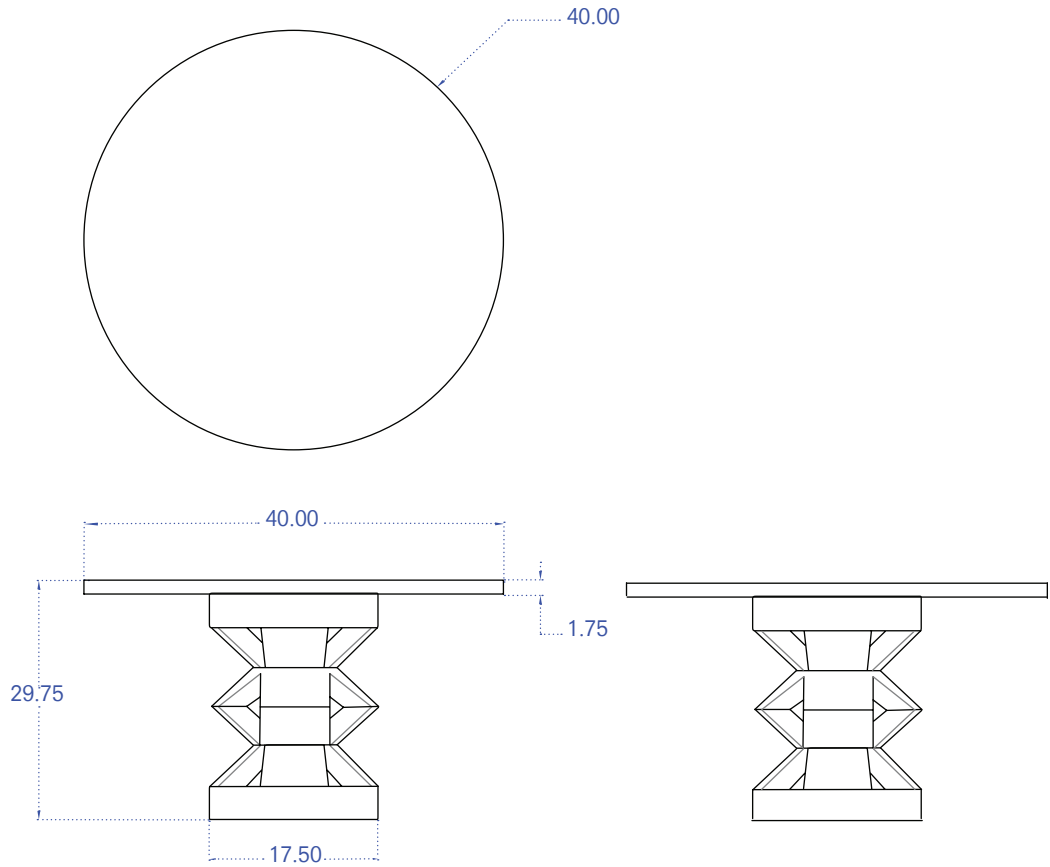


Hollow Zig Zag  
Featured: Solid KumbuK Top, Blacknut Base, Natural Oil Finish

T: 212.355.3383  
F: 212.355.3116

[www.tuckerrobbins.com](http://www.tuckerrobbins.com)

200 Lexington Ave Suite 504  
New York, NY 10016



### Hollow Zig Zag Dining Table

Forms derived from the Mayan church columns of Xejul, Guatemala are reinterpreted by the master carvers of the Oku tribes in the Cameroon. Evoking the storytelling of the ancient Maya, this form adapts itself easily as a pedestal base and confers an airy primal energy to the table.

Solid KumbuK Top		
Blacknut Base	29.75"H x 34"Dia	\$10,200
Natural Oil Finish	29.75"H x 40"Dia	\$11,250
Ebonized Base	29.75"H x 48"Dia	\$13,200

Typical lead-time is 6-8 weeks. Rush lead-times are available with a 15% upcharge to the order.  
 Custom sizes and base configurations are available upon request.