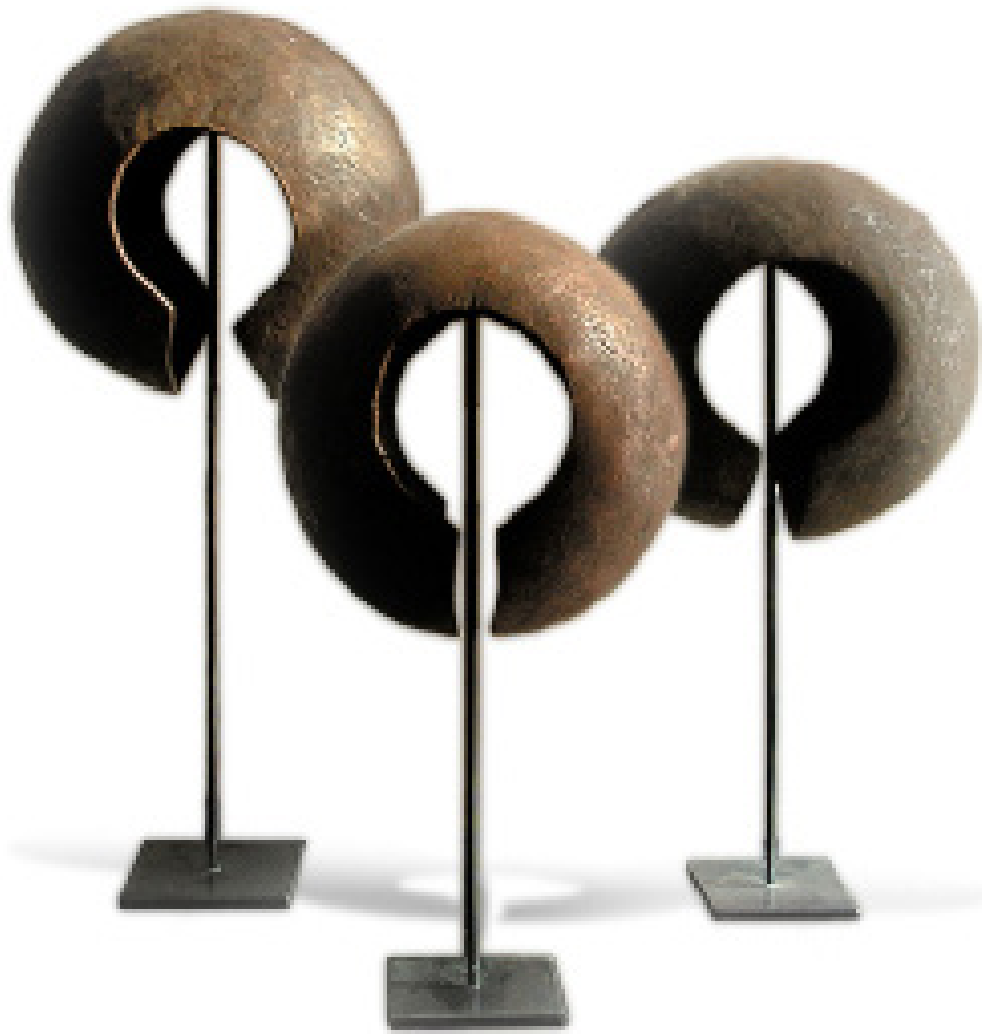


TUCKER ROBBINS

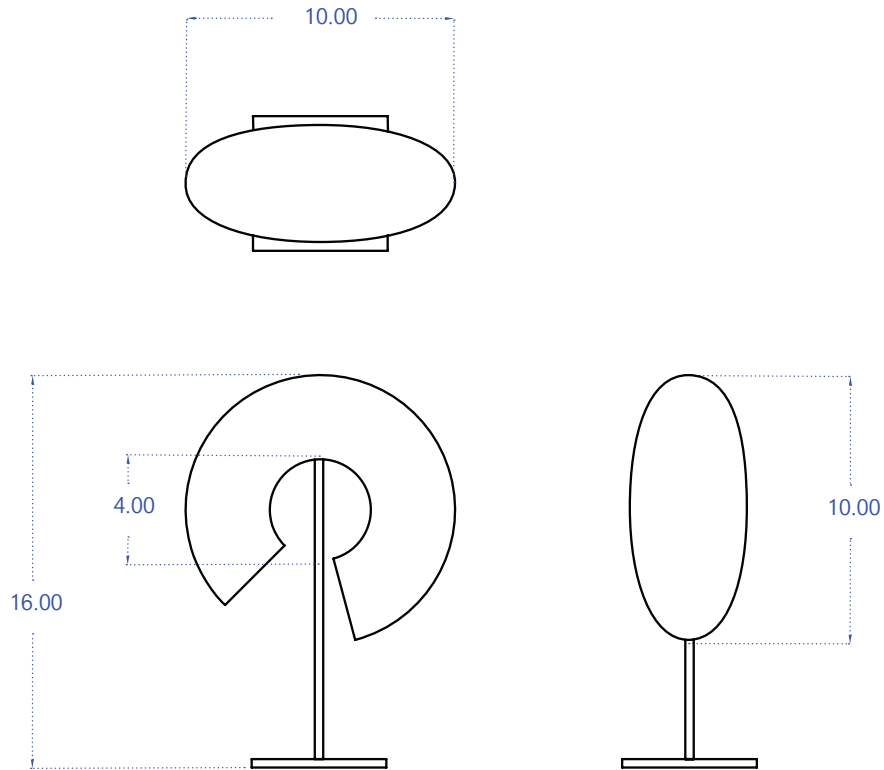


Copper Anklets  
Featured: Bare Copper on a Steel Stand

T: 212.355.3383  
F: 212.355.3116

[www.tuckerrobbins.com](http://www.tuckerrobbins.com)

200 Lexington Ave Suite 504  
New York, NY 10016



## Copper Anklet

The Mbole tribe from the southeastern portion of the Congo (formerly Zaire) made these copper anklets as currency for major transactions and adornment for special occasions. Used primarily for “bride-price” transactions, these copper anklets are a fine example of African metal work and design.

Copper  
 Steel Stand  
 No Finish  
 Stand heights made to order

8" - 14"H \$2,520